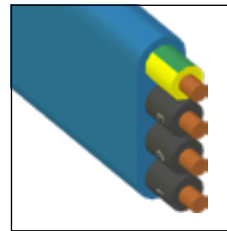


- Multiconductor flat cables for power supply and control of overhead cranes.
- With restrained fire propagation.
- Available sheath colors: blue and black.
- Internal numbered conductors in flexible PVC sheath and yellow/green earth conductor.
- On request the cables are shielded with tinned red copper, resistant up to 105°C (minimum length is 2000 m).
- Specific cable glands available (see next page).
- Marking: CE, EAC.



**CP..**

**MOBILE LAYING PVC FLAT CABLE  
H07VVH6-F CEI 20-22 II (CE)**

**Electric characteristics**

Rated insulation voltage	U0/U	450/750 V
Rated operating voltage		400 V
Testing voltage		2500 V
Short circuit temperature	max	160°C
Insulation class		2/3
Operating temperature		-5 ... +70°C

**Installation conditions**

Free suspension length	max	20 m
Travel speed	max	1.2 m/s
Bending radius	min	20 × cable thickness
Tensile stress		15 N × copper cross section in mm <sup>2</sup>
Operating temperature		0°C

**Reference rules**

CEI 20-29	Conductor of isolated cables
CEI EN 60228	
IEC 228	
CEI 50525	PVC isolated cables of rated voltages up to, and including, 450/750 V
HD 21	
IEC 227-1	
CEI EN 50363	Physical characteristic
CEI 20-11	
CEI EN 50214:2007	Flat PVC sheathed flexible cables
HD 359 S2	
CEI 20-22 II	Flame non-propagation test for horizontally laid cables
CEI UNEL 00725	Marking of cores electric cables
CEI UNEL 00722	Coloring of conductors

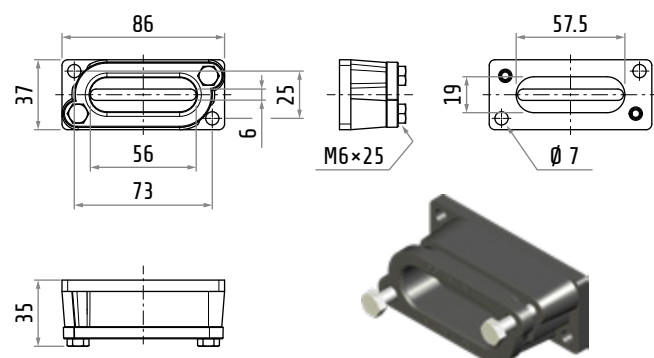
Code	Outer size mm	Conductors n. × mm <sup>2</sup>	Total cross section mm <sup>2</sup>	Strand n. × mm	Weight g/m	Resistance @ 20°C Ω/km	Max current @ 20°C A (fixed)	A (moving)
CP0415AF	16.3 × 5.2	4 × 1.5	6	30 × 0.25	170	13.30	19.5	17
CP0815AF	29 × 5.5	8 × 1.5	12	30 × 0.25	300	13.30	12	10
CP1215AF	41 × 5	12 × 1.5	18	30 × 0.25	420	13.30	11	9.5
CP1615AF	54 × 8	16 × 1.5	24	30 × 0.25	510	13.30	10	8.5
CP1815AF	43 × 11	18 × 1.5	27	30 × 0.25	700	13.30	9.5	8
CP2415AF	51 × 13	24 × 1.5	36	30 × 0.25	1000	13.30	9	7.5
CP0425AF	21 × 5.7	4 × 2.5	10	50 × 0.25	240	7.98	26	22.5
CP0825AF	33 × 6	8 × 2.5	20	50 × 0.25	420	7.98	18	13
CP1225AF	50 × 7	12 × 2.5	30	50 × 0.25	640	7.98	17	12
CP1625AF	41 × 13	16 × 2.5	40	50 × 0.25	1000	7.98	16	11
CP1825AF	50 × 13	18 × 2.5	45	50 × 0.25	1050	7.98	15	10
CP2425AF	54 × 13	24 × 2.5	60	50 × 0.25	1100	7.98	14	9
CP0404AF	21 × 7.5	4 × 4	16	56 × 0.30	330	4.95	35	30
CP0804AF	38 × 5	8 × 4	32	56 × 0.30	550	4.95	24	19
CP0406AF	24 × 8	4 × 6	24	84 × 0.30	440	3.30	46	40
CP0806AF	38.5 × 8	8 × 6	48	84 × 0.30	742	3.30	32	25
CP0410AF	35 × 11	4 × 10	40	7×12 × 0.40	800	1.91	57	46
CP0416AF	36.5 × 12	4 × 16	64	7×18 × 0.40	1200	1.21	76	62
CP04250AF	43 × 13	4 × 25	100	7×28 × 0.40	1700	0.78	96	80
CP0435AF	50 × 14	4 × 35	140	7×39 × 0.40	2050	0.55	119	99

Standard sheath colour: blue. Put an "N" to the end of the code for black sheath, for example: CP0415AFN.

Max current. Fixed: the cable is layed into a conduit. Moving: the cable is installed in a festoon system.

#### 12903010 - Flat cable gland

Material	body hardware gasket	plastic galvanized steel rubber
Weight		~105 g



#### 12903011 - Flat cable gland PG21

Material	body hardware gasket	plastic galvanized steel rubber
Weight		~115 g

